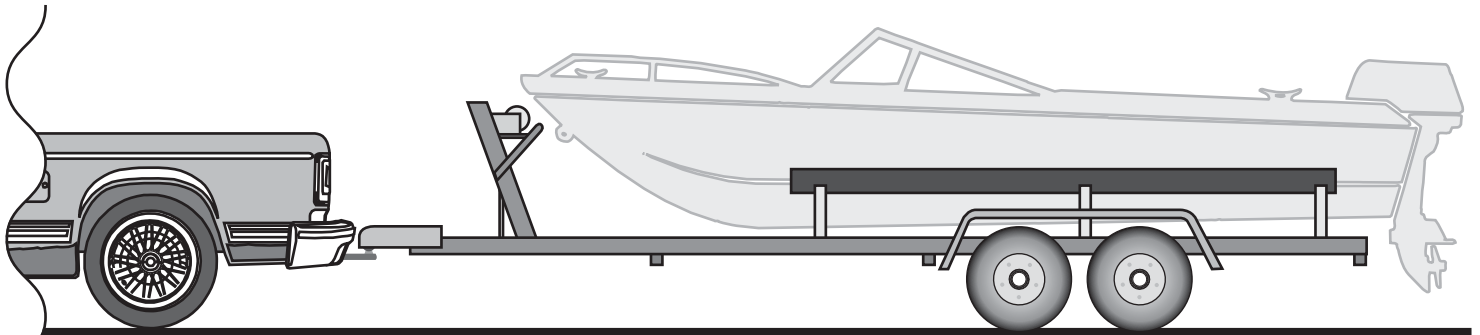


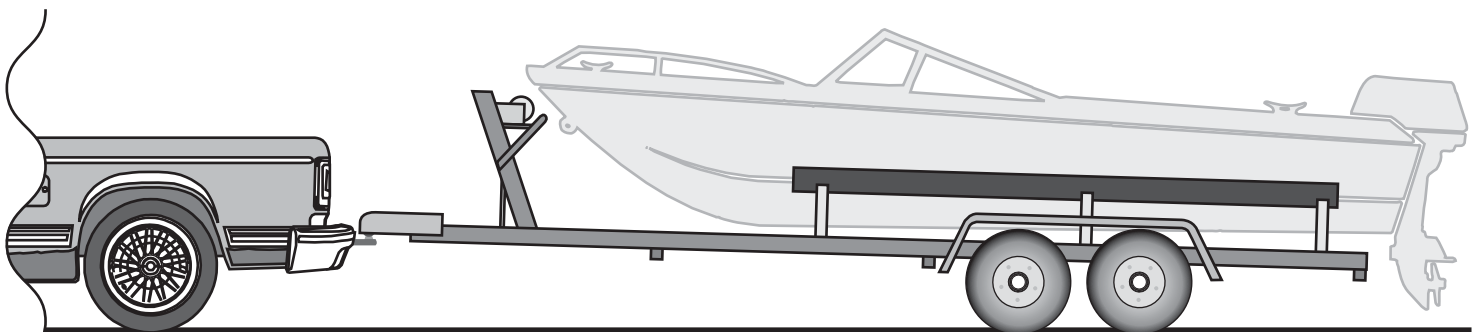
# Correct Towing Positions for Torsion Axles

## Correct Level



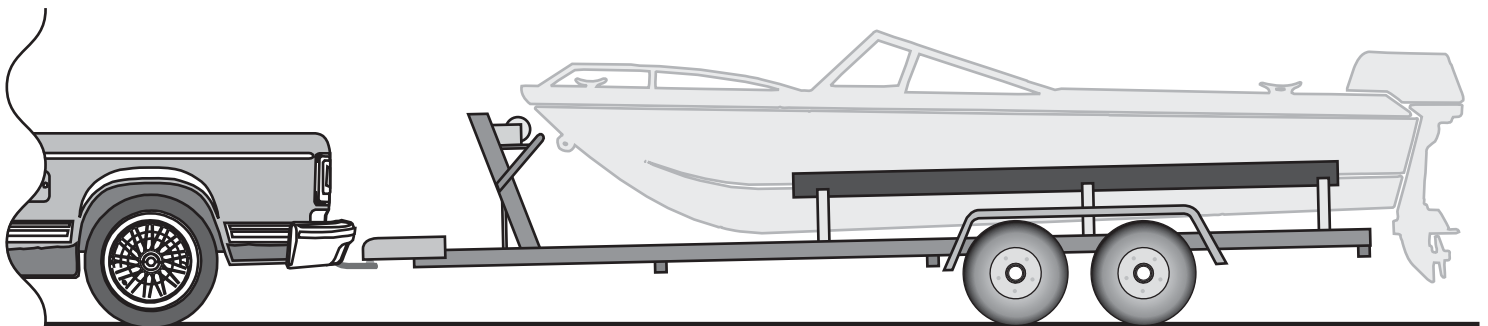
Trailer is level, note position of the tires

## Hitch Too High



Trailer is not level, note that most of the load is on the rear axle

## Hitch Too Low



Trailer is not level, note that most of the load is on the front axle